

Compliance Summary:

Client Details:

Company Name: Glen Dimplex New Zealand Ltd.
 Company Address: 38 Harris Rd, East Tamaki, Auckland.
 Phone: 09-274 8265.

Test Report number:

#0513.

Appliance:

Masport R1200.

Tested Standard:

AS/NZS 2918:2001 – Appendix B.

Test Fuel:

Softwood (Pinus Radiata).

Flue System:

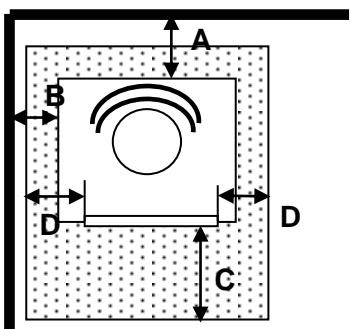
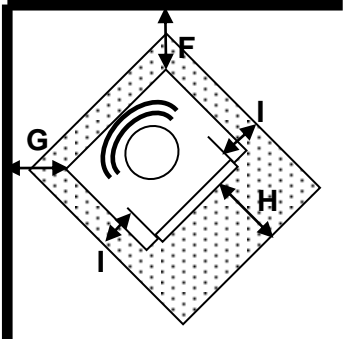
150 mm (AS/NZS2918:2001 – Appendix F).
 Masport 900 mm long SS double skin flue shield.

Ceiling Plate:

345 mm x 345 mm (180 mm hole, spaced 13 mm from ceiling surface).

Floor Protector:

Minimum to be installed as per clause 3.3.2 of AS/NZS2918:2001.
 Tested with no floor protector present.

Parallel Position Clearance Distance	Position	Clearance (mm)
	(A) Rear	85
	(B) Side	280
	(C) Floor protector (front)	300
	(D) Floor protector (side)	200
Corner Position Clearance Distance	Position	Clearance (mm)
	(F) Rear	100
	(G) Side	100
	(H) Floor protector (front)	300
	(I) Floor protector (side)	200

Additional information is contained in test report #0513 and the factory installation instructions. If the appliance is installed as tested within test report #0513 then the minimum safe clearance distances stated apply. Note that any deviations from this installation will invalidate the safe clearance distances.

Checked by
 Mr. P. Chen
 Authorized Signatory

Tested by
 Mr. P. Sparrow, Mr. P. Chen
 Compliance Engineer

Issue Date: 29/112018